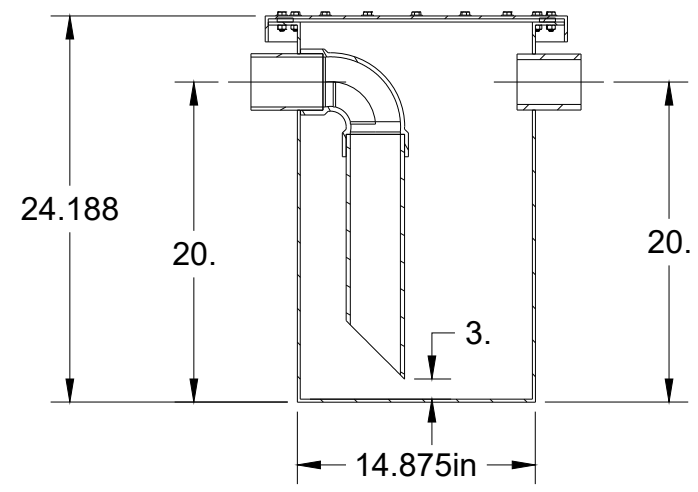
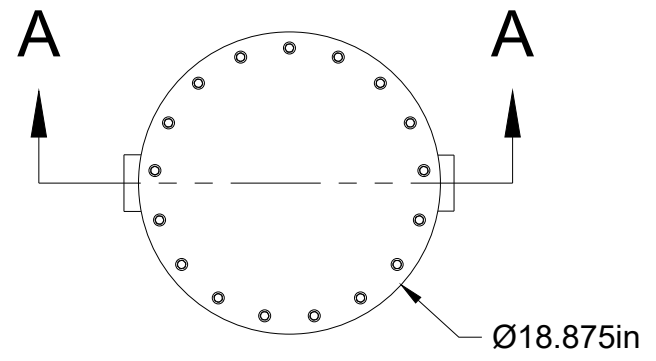
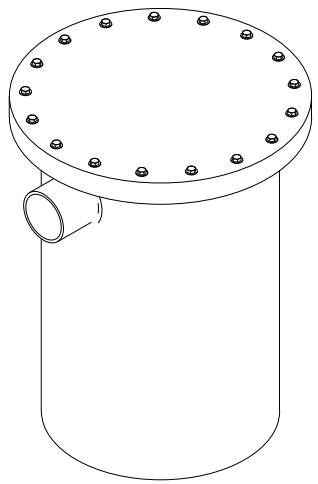



ENGINEERING SPECIFICATIONS: Tanks should be of seamless construction, rotationally molded in the USA from HD polypropylene conforming to ASTM D-1998-6 and ASTM D4976. The inside bottom of tank shall be flat with no recessed areas where acid waste or other contaminants can pool. Tanks will be manufactured by Scientific Plastics, Inc. of Kansas city KS USA.

NOTES:

- Assembly reference: Compression fittings are to be handtight only, all dimension's are in inches and all threading is NPT.
- Tank must be supported from the bottom.
- Water level must be maintained above bottom of inlet tube to provide vapor barrier.



SECTION A-A  
SCALE 1:12

|  |  |  |                      |  |                     |
|--|--|--|----------------------|--|---------------------|
|  <b>SCIENTIFIC PLASTICS</b><br>1016 SOUTHWEST BLVD<br>KANSAS CITY KS 66103<br>(913)-432-0322<br>(913)-432-0459 | DEPT.<br><b>TANKS</b>  | SP PART #<br><b>W32515-000 USP STD</b> | SCALE<br><b>1:16</b> | REV  | SHEET<br><b>1/1</b> |
|  | DESCRIPTION<br><b>15 GALLON TALL 3" PLAIN INLET/OUTLET @ 9 OCLOCK &amp; 3 OCLOCK</b> |  |                      | DRAWN BY: Philip Llamas      3/2/2023<br>CHECKED<br>APPROVED |                     |